



Section 5

Aluminium Locks

MULTITOP

Now Security is CERTIFIED

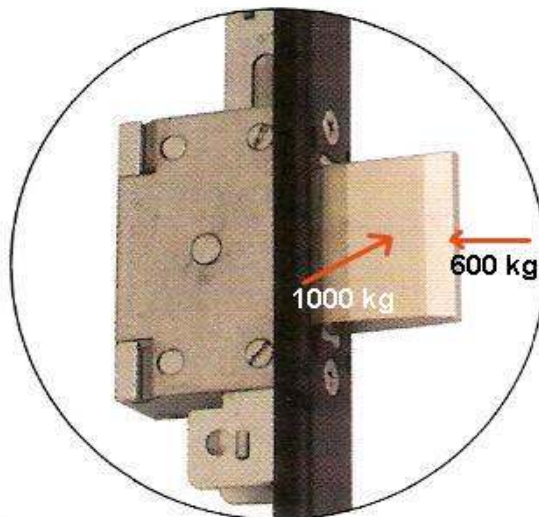
**New Versions
Compliant with
European Norm
Draft WI 33250:04
(ref EN 12209:2003)**

Security Grade 6:
3Point Deadbolt version
resistant to:
- Lateral thrust 1000 kg.
- Front load 600 kg

Security Grade 7:
3Point Deadbolt version
with anti-drill plates
resistant to:
- Lateral thrust 1000 kg.
- Front load 600 kg
- Drill resistant
- Reinforced dead bolt.

EFFORTLESS LOCKING

"Effort reducer" gear mechanism making it easier to turn the key in the presence of multiple deadbolts. (CISA patent)



SUITABILITY - CATEGORY OF USE

All CISA Aluminium locks unless specified are certified according to EN12209-2003 Grade 3: For use by the public where there is little incentive to exercise care and where there is a high chance of misuse, e.g. doors in public buildings. The latches must withstand a side load of 300kg.

SEE FOLLOWING PAGE FOR MORE INFORMATION ABOUT EURO NORM SECURITY CERTIFICATION.

Euro Norm 12209:2003 for locks and draft WI 33250:04 for 3 point locks gives us *valuable answers to the questions* facing Architects, Installers and Owners.

QUESTION: Is the lock suitable for the installation ?:

The Norm helps us by differentiating between three grades of *suitability*:

Residential Doors: Suitability Grade 1

Suitable for use by people with a high incentive to exercise care and with a small chance of misuse. (To qualify the latch must resist a side load of 200kg. The latch components and travel limit stop shall resist a torque of 20Nm. The torque on the follower for operating the latch shall not exceed 0.5Nm.)

Office Doors: Suitability Grade 2

Suitable for use by people with some incentive to exercise care but where there is some chance of misuse. (To qualify the latch must resist a side load of 300kg. The latch components and travel limit stop shall resist a torque of 40Nm. The torque on the follower for operating the latch shall not exceed 3Nm.)

Public Buildings such as Shopfronts etc: Suitability Grade 3

Suitable for use by the public where there is little incentive to exercise care and where there is a high chance of misuse. (To qualify the latch must resist a side load of 300kg. The latch components and travel limit stop shall resist a torque of 60Nm. The torque on the follower for operating the latch shall not exceed 5Nm.)

All CISA aluminium locks unless specified are certified Suitability Grade 3, suitable for Public Buildings and Shop fronts etc:

QUESTION: How long will the lock last ?, will it last a lifetime ?:

The Norm tells us ***how long the locks will last***, in various grades of *durability* of the latchbolt. Some **Durability grades** are shown below:

Durability Grade A 50,000 test cycles; no load on latchbolt during test.

Durability Grade G 100,000 test cycles; with 10N load on latchbolt during test.

Durability Grade L 100,000 test cycles; with 25N load on latchbolt during test

Durability Grade S 200,000 test cycles; with 50N load on latchbolt during test

Durability Grade X 200,000 test cycles; with 120N load on latchbolt during test.

Our Catalogue shows all CISA locks are Durability Grade X or Grade S, because CISA locks are designed to last and last.

QUESTION: Will the owner have Peace of Mind ?:

The Norm tells us the security level of the lock, so that a measured decision can be made for the ***security and peace of mind*** of the end user. The security grades are listed below:

Security Grade 1 : Minimum security and no drill resistance

Security Grade 2 : Low security and no drill resistance

Security Grade 3 : ***Medium security and no drill resistance. (CISA Ranges 44600, 46000)***

Security Grade 4 : ***High security and no drill resistance. (CISA Swingbolt, 3 point locking)***

Security Grade 5 : High security with drill resistance

Security Grade 6 : ***Very high security and no drill resistance (CISA Multitop, 3 point locking)***

Security Grade 7 : ***Very high security with drill resistance. (CISA Drill Resistant, 3 point locking).***

Our Catalogue details the security level of all our locks and the side load the deadbolts must withstand: 500kg Security grade 3, 700kg Security grade 4, and 1000kg Security grade 6 & 7.

SWINGBOLT CYLINDER LOCKS WITH OPTIONAL EXTRA TOP AND BOTTOM LOCKING POINTS. C X C 85MM.



Suitable for use in Shop Fronts and Public Buildings

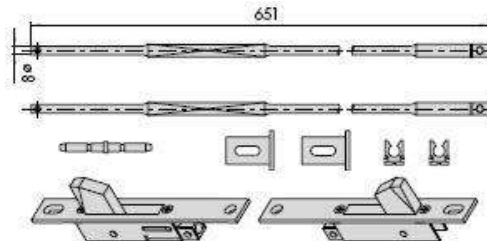


Technical Features

- ☞ Zinc Plated Steel Case
- ☞ Stainless steel faceplate:22 x 3mm
- ☞ Nickel plated latch roller and swingbolt.
 - Swing and hook bolt extra passivation.
 - Reversible latch bolts.
 - New 24mm swing bolt to fit all sections.



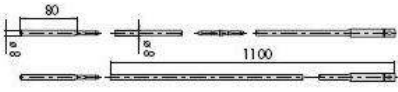
Optional





- ☞ **06460-00 Cylinder protection rose**
- ☞ **06443-00 ADDITIONAL LOCKING POINTS**
 - Set of additional swing bolts operated...by internal rods.
 - 06459-02 Stainless Steel Strike x2






Certification


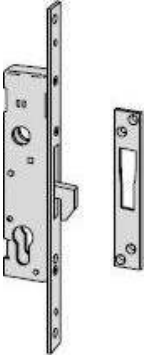
- ☞ This lock is certified according to EN 12209:03 and draft WI 33250:04:
 - **Security grade 4:** Bolt
 - 700 kg side push resistant
 - 500 kg front push resistant version **with** 06443-00
 - **Security grade 3:** Bolt
 - 500 kg side push resistant
 - 400 kg front push resistant version **without** 06443-00
 - **Durability grade X**
 - 200 000 cycles 120N load .. on the latch
 - **Corrosion Resistance: F**
 - High Corrosion Resistant
 - 96 hour salt spray test
 - **Door Mass grade 8**
 - up to 200kg doors, 15N max ..closing force.

| Item | Description | Faceplate | Locking points | Throws | Type | Backset |
|--|--|-----------|----------------|----------------|----------------|------------|
|  | <ul style="list-style-type: none"> ☞ Electric lock – Latch only - 10.5 to 16.5 mm adjustable latch and piston - 12V ac CE (optional 24V coil 07086-01) - Cylinder 0G300-07-12 - Stainless steel strike 06461-06E 1.5 x 25mm - Nylon slide 06224-50 | 22 | 1 | 1 | 16205 | 25 |
| | • Standard Version – Security Grade 3 | 22 | 1 | 1 | 16205 | 30 |
| | | 22 | 1 | 1 | 16205 | 35 |
| | • For Wispeco series 4000, strike 06465-02-23 | 22 | 1 | 1 | 16205 | 30W |
| | | 22 | 1 | 1 | 16205 | 35W |
|  <div style="border: 1px solid black; padding: 5px; margin-top: 10px;"> <p>For handles to match see page Sec 5.14</p> </div> | <ul style="list-style-type: none"> ☞ Electric lock – Latch and Swing bolt - 10.5 to 16.5 mm adjustable latch and piston - 12V ac CE (optional 24V coil 07086-01) - Cylinder 0G300-07-12 - Stainless steel strike 06461-06E 1.5 x 25mm - Nylon slide 06224-50 | 22 | 1 | 1 | 16215 | 25 |
| | • Standard Version – Security Grade 3 | 22 | 1 | 1 | 16215 | 30 |
| | | 22 | 1 | 1 | 16215 | 35 |
| | • For Wispeco series 4000, strike 06463-08-23 | 22 | 1 | 1 | 16215 | 30W |
| | | 22 | 1 | 1 | 16215 | 35W |
| | • Supplied with 06441-10 internal top & bottom locking bolts | 22 | 3 | 1 | 16225 | 25 |
| | | 22 | 3 | 1 | 16225 | 30 |
| | | 22 | 3 | 1 | 16225 | 35 |
| | • Supplied with 06443-00 additional swing bolts & internal rods – Security Grade 4 | 22 | 3 | 1 | 16215-4 | 25 |
| | | 22 | 3 | 1 | 16215-4 | 30 |
| | 22 | 3 | 1 | 16215-4 | 35 | |
|  | • Set of Internal top and bottom locking bars | | | | 06441 | 10 |


| Item | Description | Faceplate | Locking points | Throws | Type | Backset |
|---|---|----------------|----------------|-------------|--|-------------------------------------|
|  | <p>Electric lock – Latch and 29mm Swingbolt with Hardened Steel Saw Resistant Plates (for doors with gap between lockface and strike of min. 4mm)</p> <ul style="list-style-type: none"> - 10.5 to 16.5 mm adjustable latch and piston - 12V ac CE (optional 24V coil 07086-01) - Cylinder OG300-07-12 - Stainless steel strike 06461-06E 1.5 x 25mm - Nylon slide 06224-50 - Swing Bolt 29mm long <ul style="list-style-type: none"> • Standard Version -Security Grade 3 | 22 22 | 1 1 | 1 1 | 16216 16216 | 25 35 |
|  | <p>Swing bolt only</p> <ul style="list-style-type: none"> - New internal mechanism increases...the dead-lock anti-pick capability. - Stainless steel strike 06459-02. 1.5 x 22mm - Black nylon rose 06012-01 - Cylinder OG345-05-12 <ul style="list-style-type: none"> • Standard Version -Security Grade 3 • Supplied with 06441-10 internal top & bottom locking bolts • Supplied with 06443-00 additional swing bolts & internal rods – Security Grade 4 | 22 22 | 1 1 | 1 1 | 46210 46210 | 25 35 |
|  | <p>29mm Swingbolt with Hardened Steel Saw Resistant Plates. (for doors with gap between lockface and strike of min. 4mm)</p> <ul style="list-style-type: none"> - New internal mechanism increases...the dead-lock anti-pick capability. - Stainless steel strike 06459-02. 1.5 x 22mm - Black nylon rose 06012-01 - Cylinder OG345-05-12 - Swing Bolt 29mm long <ul style="list-style-type: none"> • Standard Version -Security Grade 3 • Supplied with 06441-10 internal top & bottom locking bolts • Supplied with 06443-00 additional swing bolts & internal rods – Security Grade 4 | 22 22 | 3 3 | 1 1 | 46211 46211 | 25 35 |
|  | <p>Latch and Swing bolt</p> <ul style="list-style-type: none"> - New 10.5mm to 16.5mm Adjustable and non-handed latch ensures perfect fit. - New internal mechanism increases...the dead-lock anti-pick capability. - Stainless Steel Strike 06461-06. 1.5 X 22MM - Cylinder OG300-07-12 <ul style="list-style-type: none"> • Standard Version -Security Grade 3 • For Wispeco series 4000, Black adjustable steel strike 06232-05-44 | 22 22 22 | 1 1 1 | 1 1 1 | 46215 46215 46215 | 25 30 35 |
| 22 | 1 | 1 | 46215 | 30W | | |

| Item | Description | Faceplate | Locking points | Throws | Type | Backset |
|---|--|--------------------------------------|--------------------------------|--------------------------------|---|---|
|  | <p>Latch and Swing bolt – continued</p> <p>New 10.5mm to 16.5mm Adjustable and non-handed latch ensures perfect fit.</p> <p>New internal mechanism increases ...the dead-lock anti-pick capability.</p> <p>Stainless Steel Strike 06461-06. 1.5 X 22MM</p> <p>Black Nylon Rose 06012-01</p> <p>- Cylinder 0G300-07-12</p> <ul style="list-style-type: none"> Supplied with 06441-10 internal top & bottom locking bolts Supplied with 06443-00 additional swing bolts & internal rods – Security Grade 4 | 22 22 22 22 22 22 | 3 3 3 3 3 3 | 1 1 1 1 1 1 | 46225 46225 46225 46215-4 46215-4 46215-4 | 25 30 35 25 30 35 |
|  | <p>Latch and 29mm Swingbolt with Hardened Steel Saw Resistant Plates. (for doors with gap between lockface and strike min. 4mm.)</p> <p>- New 10.5mm to 16.5mm Adjustable and non-handed latch ensures perfect fit.</p> <p>- New internal mechanism increases ...the dead-lock anti-pick capability.</p> <p>Stainless Steel Strike 06461-06. 1.5 X 22MM</p> <p>- Cylinder 0G300-07-12</p> <p>- Swing Bolt 29mm long</p> <ul style="list-style-type: none"> Standard Version -Security Grade 3 Supplied with 06441-10 internal top & bottom locking bolts Supplied with 06443-00 additional swing bolts & internal rods – Security Grade 4 | 22 22 22 22 22 22 | 1 1 1 3 3 3 | 1 1 1 1 1 1 | 46216 46216 46216 46226 46226 46226 46216-4 46216-4 46216-4 | 25 30 35 25 30 35 25 30 35 |
|  | <p>Roller and Swing bolt</p> <p>- New 14 to 17mm Adjustable roller.</p> <p>New internal mechanism increases ...the dead-lock anti-pick capability.</p> <p>Stainless Steel Strike 06461-06R. 1.5 X 22MM</p> <p>Black Nylon Rose 06012-01</p> <p>- Cylinder 0G345-05-12</p> <ul style="list-style-type: none"> Standard Version -Security Grade 3 For Wispeco series 4000, Black adjustable steel strike 06232-05-44 Supplied with 06441-10 internal top & bottom locking bolts Supplied with 06443-00 additional swing bolts & internal rods – Security Grade 4 | 22 22 22 22 22 22 | 1 1 1 1 3 3 | 1 1 1 1 1 1 | 46230 46230 46230 46230 46250 46250 46230-4 46230-4 46230-4 | 25 30 35 30W 25 30 35 25 30 35 |


HOOK BOLT VERSIONS ALSO WITH TOP AND BOTTOM LOCKING

| Item | Description | Faceplate | Locking points | Throws | Type | Backset |
|--|--|-----------|----------------|--------|--------|---------|
|  | <p>New – for STACKING DOORS</p> <p>New Hook lock with Latch for Stacking Doors with 8.5mm hook gap for ease of installation.</p> <ul style="list-style-type: none"> - New 10.5mm to 16.5mm Adjustable and non-handed latch ensures perfect fit. - Stainless Steel Strike 06461-06H. 2 x 22mm - Cylinder 0G300-07-12 | | | | | |
| | <ul style="list-style-type: none"> • Standard Version -Security Grade 3 | 22 | 1 | 1 | 46215 | 35H |
|  | <p>Hook-bolt with 8.5mm Gap between face and hook.</p> <ul style="list-style-type: none"> - Stainless steel strike 06459H. 3 x 22mm - Black nylon rose 06012-01 - Cylinder 0G345-05-12 | | | | | |
| | <ul style="list-style-type: none"> • Standard Version -Security Grade 3 | 22 | 1 | 1 | 46240 | 25 |
| | | 22 | 1 | 1 | 46240 | 35 |
| | <ul style="list-style-type: none"> • Supplied with 06441-10 internal top & bottom locking bolts | 22 | 3 | 1 | 46260 | 25 |
| | | 22 | 3 | 1 | 46260 | 35 |
| | <ul style="list-style-type: none"> • Supplied without 06441-10 internal top & bottom locking bolts | 22 | 3 | 1 | 46260S | 25 |
| | 22 | 3 | 1 | 46260S | 35 | |
| | <p>New Version with Anti-lift PIN</p> <ul style="list-style-type: none"> • Version with Anti-lift PIN | 22 | 1 | 1 | 46240P | 25 |
| | | 22 | 1 | 1 | 46240P | 35 |

VERSION WITH 2 LOCKING POINTS

| Item | Description | Faceplate | Locking points | Throws | Type | Backset |
|---|---|-----------|----------------|--------|--------|---------|
|  | <p>Two point locking versions – without Swingbolt</p> <ul style="list-style-type: none"> - Cylinder 0G345-05-12 | | | | | |
| | <ul style="list-style-type: none"> • Supplied with 06441-10 internal top & bottom locking bolts | 22 | 2 | 1 | 46270 | 25 |
| | <ul style="list-style-type: none"> • Supplied without 06441-10 internal top & bottom locking bolts | 22 | 2 | 1 | 46270S | 25 |

ACCESSORIES FOR SWING BOLT LOCKS

| | | | | | | |
|---|---|--|--|--|-------|----|
|  | <p>Stainless steel cylinder protection rose</p> <ul style="list-style-type: none"> - Renders cylinder resistant to snapping - suitable for all Swing Locks | | | | 06460 | 00 |
|---|---|--|--|--|-------|----|

| Item | Description | Faceplate | Locking points | Throws | Type | Backset |
|------|---|-----------|----------------|--------|----------------|----------|
| | <p>☛ Set of Swing bolts operated by internal rods</p> <ul style="list-style-type: none"> - Swing bolts - Stainless steel faceplate 3 x 22mm - Set of 8mm diameter rods - Joining pin item 06291-02 - Set of rod guides 06224 - Set of faceplate spacers 06141-65 | | | | 06443 | 00 |
| | <p>☛ Top and Bottom locking straight bars</p> <ul style="list-style-type: none"> - Zinc plated - Set of 8mm diameter rods - Floor striker 06086-01 - Joining pin item 06291-02 - Set of rod guides 06224 - Noise proof bushes 07147 | | | | 06441 | 10 |
| | <p>☛ Spare Coil for 16000 Series</p> <ul style="list-style-type: none"> • 12V ac • 24V ac | | | | 07086 07086 | 00 01 |
| | <p>☛ Nylon Rose</p> <ul style="list-style-type: none"> - Stainless steel screws black oxidised | | | | 06012 | 01 |
| | <p>☛ Brass floor striker 12mm diameter</p> <ul style="list-style-type: none"> - Spring cover | | | | 06086 | 02 |

Suitable for use in Shop Fronts and Public Buildings



Technical Features

- ☞ Zinc Plated Steel Case
- ☞ Stainless steel faceplate:24 x 3mm
- ☞ Nickel plated latch roller and swingbolt.
 - Swing and hook bolt extra passivation.
 - Reversible latch bolts.

Optional

- ☞ **06460-00** Cylinder protection rose

Certification

- ☞ This lock is certified according to EN 12209:03 and draft WI 33250:04:
 - **Security grade 4:** Bolt
 - 700 kg side push resistant
 - 500 kg front push resistant version with 06443-00
 - **Durability grade X**
 - 200 000 cycles 120N load ..
 - .. on the latch
 - **Corrosion Resistance: F(16700)**
 - High Corrosion Resistant
 - ..-20°C to +80°C.
 - **Door Mass grade 8**
 - up to 200kg doors,15N max force

| Item | Description | Faceplate | Locking points | Throws | Type | Backset |
|------|---|-----------|----------------|--------|-------|---------|
| | <ul style="list-style-type: none"> ☞ Electric Lock - Stainless Steel 1.92m adjustable flat face plate, 24 x 3mm <ul style="list-style-type: none"> - lower adjustment 150mm • 10.5 to 16.5 mm adjustable latch and piston • 12V ac CE (optional 24V coil 07086-01) • S/Steel Strike Plate 06463-23 • 2 S/Steel Strike Plate 06465-23 • Includes Nylon Strike Spacer 06141-35 - Cylinder 0G300-07-12 | 24 | 3 | 1 | 16700 | 30 |
| | <ul style="list-style-type: none"> ☞ Latch and Swingbolt – Stainless Steel 2,3m adjustable flat faceplate 24 x 3mm <ul style="list-style-type: none"> - upper adjustment 350mm - lower adjustment 150mm • 10.5 to 16.5 mm adjustable latch and piston • S/Steel Strike Plate 06463-33 • 2 S/Steel Strike Plate 06465-23 • Includes Nylon Strike Spacer 06141-35 - Cylinder 0G300-07-12 | 24 | 3 | 1 | 46725 | 30 |

Suitable for use in Shop Fronts and Public Buildings

MULTITOP

Technical Features

- ☞ Geared operating device for reducing...
...key effort.
- ☞ Stainless steel faceplate:22 x 3mm
- ☞ Zinc Plated Steel Case
- ☞ Nickel plated latch, roller and horizontal..
...slide dead bolt.
- ☞ Independent locking points: if one of the dead-
-bolts is forced open, the others will stay
locked

Included

- ☞ 06443-21 ADDITIONAL LOCKING POINTS
 - Set of lateral extended bolts operated...
...by internal rods.
 - Horizontal Slide bolts with **Hardened Steel**..

...Inserts

- 06461-08 Stainless Steel Strike x2

Optional


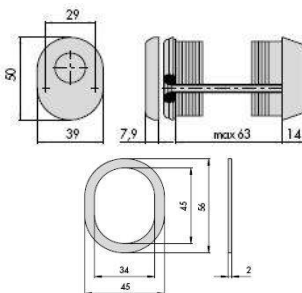
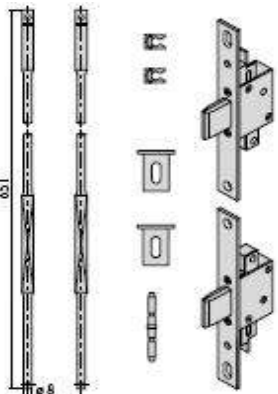
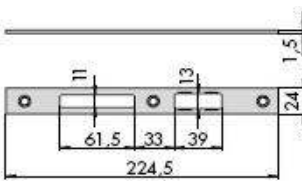
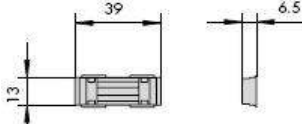
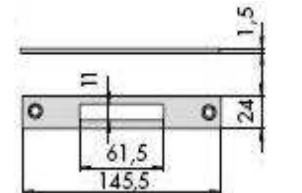
- ☞ 06460-05 Cylinder protection rose for Asix

Certification

- ☞ This lock is certified according to EN 12209:03 and draft WI 33250:04:
- **Security grade 6:** Bolt
 - 1000 kg side push resistant
 - 600 kg front push resistant
 version **with** 06443-21
- **Security grade 3:** Bolt
 - 500 kg side push resistant
 - 400 kg front push resistant
 version **without** 06443-21
- **Durability grade X**
 - 200 000 cycles 120N load ..
.. on the latch
- **Corrosion Resistance: F**
 - High Corrosion Resistant
 - 96 hour salt spray test
- **Door Mass grade 8**
 - up to 200kg doors, 15N max
..closing force.



| Item | Description | Faceplate | Locking points | Throws | Type | Backset |
|------|--|-----------|----------------|--------|----------------|-----------|
| | <ul style="list-style-type: none"> ☞ Electric lock – Dead-bolt and latch - 10.5 to 16.5 mm adjustable latch and piston - 12V ac CE - A6 Cylinder 0E300-07-12 - Stainless steel strike 06461-07 1.5mm x 25mm | 22 | 3 | 2 | 18225-6 | 35 |
| | <ul style="list-style-type: none"> • Supplied with 06443-21- Security grade 6 • Supplied without 06443-21-Security grade 3 | 22 | 1 | 2 | 18225-3 | 35 |
| | <ul style="list-style-type: none"> ☞ Dead-bolt - A6 Cylinder 0E300-07-12 - Stainless steel strike 06461-08 1.5mm x 25mm | 22 | 3 | 2 | 48220-6 | 35 |
| | <ul style="list-style-type: none"> • Supplied with 06443-21- Security grade 6 • Supplied without 06443-21-Security grade 3 | 22 | 1 | 2 | 48220-3 | 35 |
| | <ul style="list-style-type: none"> ☞ Deadbolt and latch - A6 Cylinder 0E300-07-12 - 11 to 17mm adjustable latch - Stainless steel strike 06461-07 1.5mm x 25mm | 22 | 3 | 2 | 48225-6 | 35 |
| | <ul style="list-style-type: none"> • Supplied with 06443-21- Security grade 6 • Supplied without 06443-21-Security grade 3 | 22 | 1 | 2 | 48225-3 | 35 |

| Item | Description | Faceplate | Locking points | Throws | Type | Backset |
|---|--|-----------|----------------|--------|----------------|----------|
|  | <p>Roller-bolt and dead-bolt</p> <ul style="list-style-type: none"> - A6 Cylinder 0E300-07-12 - 2.5 to 16.5mm adjustable roller - Stainless steel strike 06461-07 1.5mm x 25mm - Insert for roller 06141-86 <ul style="list-style-type: none"> • Supplied with 06443-21- Security grade 6 • Supplied without 06443-21-Security grade 3 | 22 | 3 | 2 | 48250-6 | 35 |
|  | <p>Cylinder protection rose, for cylinder AP3, Astral (with ..long key) and Asix. Chrome plated carbonitrided.. ..steel complete with cover ring 06473-60, spacers.. ..and screws</p> <ul style="list-style-type: none"> - for AP3, ASTRAL, Asix - for TSP, SP, C2000 <p>Note – suitable for 60mm cylinder length with door thickness.. ..of 44mm.</p> | | | | 06460 06460 | 05 06 |
|  | <p>Additional Locking Points</p> <ul style="list-style-type: none"> • Set of lateral extended bolts operated by internal rods • Horizontal sliding deadbolts with Hardened Steel Inserts. • Stainless steel faceplate 22 x 3mm <p>Included</p> <ul style="list-style-type: none"> - 06461-08 Stainless Steel Strike x2 - Pair of bolts diam 8mm - Guiding clamps 06224 - Connectors 06291-20 | | | | 06443 | 21 |
|  | <p>Stainless steel strike for 18225 , 48225, 48250 25 x 1.5mm</p> | | | | 06461 | 07 |
|  | <p>Strike insert for Roller Locks with 06461-07and 06461-40</p> | | | | 06141 | 86 |
|  | <p>Stainless steel strike for 48220, 06443-21 25 x 1.5mm</p> | | | | 06461 | 08 |

Suitable for use in Shop Fronts and Public Buildings

MULTITOP

Technical Features

- ☞ Geared operating device for reducing...
...key effort.
- ☞ Zinc Plated Steel Case
- ☞ Nickel plated latch and horizontal..
...slide dead bolt.
- ☞ Independent locking points: if one of the dead-
-bolts is forced open, the others will stay
locked
- ☞ Top and bottom horizontal slide bolts with.....
...**Hardened Steel Inserts**

Certification

- ☞ This lock is certified according to EN 12209:03 and draft WI 33250:04:
 - **Security grade 6:** Bolt
 - 1000 kg side push resistant
 - 600 kg front push resistant
 - **Durability grade X**
 - 200 000 cycles 120N load ..
.. on the latch
 - **Corrosion Resistance: F(48726)**
 - High Corrosion Resistant
 - 96 hour salt spray test
 - **Door Mass grade 8**
 - up to 200kg doors, 15N max
...closing force.



| Item | Description | Faceplate | Locking points | Throws | Type | Backset |
|------|---|-----------|----------------|--------|---------|---------|
| | <ul style="list-style-type: none"> ☞ Electric lock – Dead-bolt and latch BLACK LAQUERED 2,6m adjustable flat faceplate - upper adjustment 650mm - lower adjustment 150mm • 10.5 to 16.5 mm adjustable latch and piston • - 12V ac CE • Black Steel Strike Plate 06463-22 • 2 Black Steel Strike Plate 06465-22 • Includes Nylon Strike Spacer 06141-35 - A6 Cylinder 0E300-07-12 | 24 | 3 | 2 | 18526-6 | 30 |
| | <ul style="list-style-type: none"> ☞ Deadbolt and latch STAINLESS STEEL 2.3m adjustable flat face plate - upper adjustment 350mm - lower adjustment 150mm • 11 to 17mm adjustable latch • Stainless Steel Strike Plate 06463-33 • 2 S/Steel Strike Plate 06465-33 • Includes Nylon Strike Spacer 06141-35 • - A6 Cylinder 0E300-07-12 | 24 | 3 | 2 | 48726-6 | 30 |

Suitable for use in Shop Fronts and Public Buildings

MULTITOP

Technical Features

- ☛ Geared operating device for reducing...
...key effort.
- ☛ Stainless steel faceplate: 24 x 3mm
- ☛ Zinc Plated Steel Case
- ☛ Nickel plated latch and horizontal slide dead-bolts, with **Hardened steel inserts**.
- ☛ Independent locking points: if one of the dead-bolts is forced open, the others will stay locked


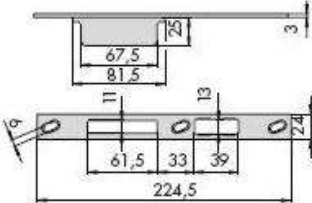
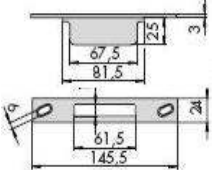
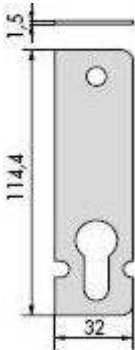
Included


- ☛ 06443-21 ADDITIONAL LOCKING POINTS
Set of lateral extended bolts operated...
...by internal rods.
- Horizontal Slide bolts with **Hardened Steel**.
- ...Inserts
- 06461-41 Stainless Steel Strike x2
- 06460-05 Cylinder protection rose for Asix
- 06436-10/11 Drill resistant plates.




Certification

- ☛ This lock is certified according to EN 12209:03 and draft WI 33250:04:
- **Security grade 7:** Bolt
 - 1000 kg side push resistant
 - 600 kg front push resistant
 version with 06443-21
- **Security grade 7:** Bolt
 - Secure after total drilling time...
...of 10 minutes
- **Durability grade X**
 - 200 000 cycles 120N load ..
...on the latch
- **Corrosion Resistance: F**
 - High Corrosion Resistant
 - 96 hour salt spray test
- **Door Mass grade 8**
 - up to 200kg doors, 15N max.
...closing force



| Item | Description | Faceplate | Locking points | Throws | Type | Backset |
|---|--|-----------|----------------|--------|----------------|----------|
|  | <ul style="list-style-type: none"> ☛ Deadbolt and latch <ul style="list-style-type: none"> - A6 Cylinder 0E300-07-12 - 11 to 17mm adjustable latch - Stainless steel strike 06461-40 3mm x 24mm • Supplied with 06443-21 Add. Locking points Security Grade 7 | 24 | 3 | 2 | 48229-7 | 35 |
|  | ☛ Stainless steel strike 24 x 3mm with protection box... ...for dead-bolt. Supplied with 48229. | | | | 06461 | 40 |
|  | ☛ Stainless steel strike 24 x 3mm with protection box... ... for dead-bolt. Supplied with 06443-21 | | | | 06461 | 41 |
|  | <ul style="list-style-type: none"> ☛ Lock protection plate to increase drill resistance <ul style="list-style-type: none"> - for 48229 - for 06443-21 | | | | 06436 06436 | 10 11 |

| | | |
|---|---|--|
|  | <p>Technical Features</p> <ul style="list-style-type: none"> ☞ Zinc Plated Steel Case ☞ Stainless Steel faceplate:22 mm ☞ Nickel plated latch roller and dead-bolt. <ul style="list-style-type: none"> - Reversible latch | <p>Certification</p> <ul style="list-style-type: none"> ☞ This lock is certified according to EN 12209:03 • Security grade 3: Bolt <ul style="list-style-type: none"> - 500 kg side push resistant - 400 kg front push resistant • Durability grade X <ul style="list-style-type: none"> - 200 000 cycles 120N load on the latch • Corrosion Resistance: C <ul style="list-style-type: none"> - High Corrosion Resistant • Door Mass grade 7 <ul style="list-style-type: none"> - up to 100kg doors, max 15N ..max. closing force. |
|---|---|--|

| Item | Description | Faceplate | Locking points | Throws | Type | Backset | Finish | Price | Price for 100 per type |
|---|---|-----------|----------------|--------|--------------|---------|--------|-------|------------------------|
|  | <p>☞ Latch and long throw deadbolt.</p> <ul style="list-style-type: none"> • Stainless Steel faceplate:22 mm • Long Single Throw Deadbolt • Latch operated by key and handle • Stainless Steel Strike 06163S • Logoline Cylinder 08010-07-12 | 22 | 1 | 1 | 44820 | 20 | 20 | | |
|  | <p>☞ Adjustable Roller and long throw deadbolt</p> <ul style="list-style-type: none"> • Stainless Steel faceplate:22 mm • Long Single Throw Deadbolt • Stainless Steel Strike 06148S • Logoline Cylinder 08010-05-12 • Nylon rose 06012-01 | 22 | 1 | 1 | 44830 | 25 | 20 | | |
|  | <p>☞ Deadbolt long throw</p> <ul style="list-style-type: none"> • Stainless Steel faceplate:22 mm • Long Single Throw Deadbolt • Nickel Plated Brass Strike 07032-12 • Logoline Cylinder 08010-05-12 • Nylon rose 06012-01 | 22 | 1 | 1 | 44840 | 25 | 20 | | |



Technical Features

- ☞ Anodized Aluminium Handle – 24 Micron
- ☞ Secure version with no visible outside fixing screws
- ☞ Powder coated handles all have UV Inhibitors to prevent discoloration
- ☞ Special Stainless Steel Handle Fixing screw, pierces the spindle to give secure handle fitment
- ☞ Backplates 220mm long x 26mm wide x 6mm thick

Includes

- Zinc plated 8mm Spindle with one hollow end for permanent fixing
- 3mm Allen Key
- Fixing screws for 44mm doors width

| Item | Description | Type | | |
|------|--|---|--|--|
| | <ul style="list-style-type: none"> ☞ Slimline Natural Anodised <ul style="list-style-type: none"> • Stainless Steel Fixing screws • Set of Handles on backplate C X C 85mm | <p>H28SN</p> | | |
| | <ul style="list-style-type: none"> ☞ Special Slimline Natural Anodised <ul style="list-style-type: none"> ☞ Set of Double Grip Pull Handles. C X C 85mm ☞ Set of Grip and Lever Handle. C X C 85mm ☞ Set of Long Grip and lever handle for Electric Lock 16215. C X C 85mm ☞ Set of Grip and Lever Handle for....panic locks. C X C 92mm | <p>H28GN H28GH H28GHLONG H28PANIC</p> | | |
| | <ul style="list-style-type: none"> ☞ Slimline – Black Powder Coated <ul style="list-style-type: none"> • Black Fixing screws • Set of Handles on backplate C X C 85mm | <p>H28SBL</p> | | |
| | <ul style="list-style-type: none"> ☞ Slimline – Bronze Powder Coated <ul style="list-style-type: none"> • Bronze Fixing screws • Set of Handles on backplate C X C 85mm | <p>H28SB</p> | | |
| | <ul style="list-style-type: none"> ☞ Slimline – White Powder Coated <ul style="list-style-type: none"> • White Fixing screws • Set of Handles on backplate C X C 85mm | <p>H28SW</p> | | |

SECURITY LOCKS - LATCH WITH HOOK BOLT, FOR FOLDING DOORS.

**WHILE STOCKS LAST
46118-25 PRICED
R214.00 LIST PRICE**



Features

- ☛ Stainless Steel 22mm Faceplate
- ☛ Case thickness 19mm
- ☛ Non-handed latch.
- ☛ Stainless steel strike plate included
- ☛ **Cylinder 0G300-07-12P with special cam (new)**

| Code | Size | RH | LH |
|-------|------|----|----|
| 46118 | 25 | 0 | 0 |
| 46118 | 20W | 0 | 0 |

VERSION FOR WISPECO 5000 SERIES FOLDING DOORS

